

Official agent Benelux

www.ipspumps.be



SUBMERSIBLE
SLURRY PUMP

DIVA PRO

SERIES 50HZ



Features

- Double mechanical seal CA/CE with SIC/SIC in oil bath
- Heavy-duty with agitator mode
- Protected with Yamada overload protector
- Top flange discharge with semi-circumferential cooling for continuous duty

Applications

Choice of industries that face the most difficult pumping applications

- Lime slurries
- Mill scale
- Coal runoff sumps
- Wash down sumps
- Mining
- Tunneling
- Quarries

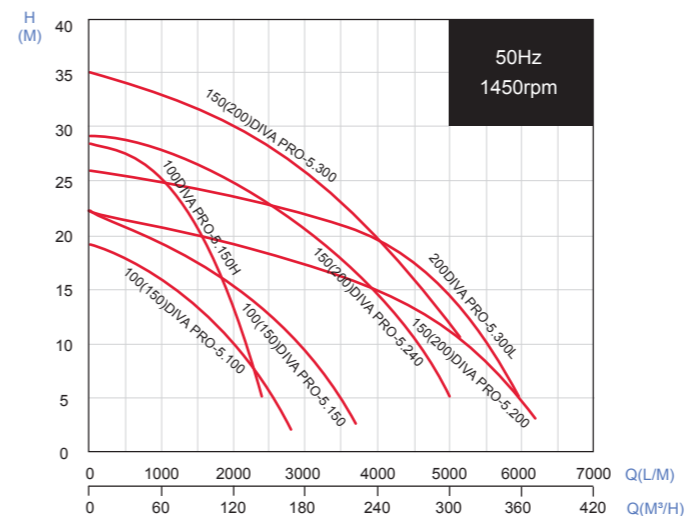
Data Chart

Type	Output		Discharge	F.L.A.	Rated		Maximum		Free Passage	Weight(W/O Cable)
	HP	kW			Head M	Cap. LPM	Head M	Cap. LPM		
100(150)DIVA PRO-5.100	10	7.5	4"(6")	15A	13	1500	19	2800	20	150
100DIVA PRO-5.150H	15	11	4"	22A	25	1000	28.5	2400	20	170
100(150)DIVA PRO-5.150	15	11	4"(6")	22A	15	2000	22	3700	20	175
150(200)DIVA PRO-5.200	20	15	6"(8")	31.9A	15	4000	22	6200	25	250
150(200)DIVA PRO-5.240	24	18	6"(8")	35.5A	21	3000	29	5000	25	360
150(200)DIVA PRO-5.300	30	22	6"(8")	44.6A	20	3800	35	5200	25	390
200DIVA PRO-5.300L	30	22	8"	44.6A	15	4900	26	6000	25	400

Specifications

Liquid Temperature		0~40°C (32~104°F)
Submersible depth		20M
Motor Part	Frequency	50Hz
	Pole	4 Pole
	Type	Dry Type
	Insulation	Class F
	Protection	IP 68
Pump Part	Protector	Auto-Cut
	Bearing	Ball Type
	Mechanical seal	Double Mechanical Seal
	Impeller	Semi-open Impeller

Performance Curve



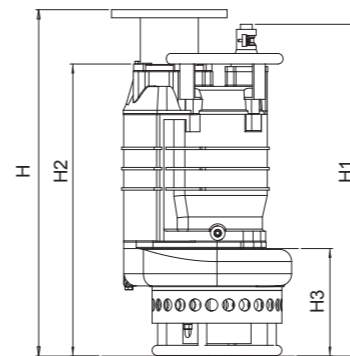
All technical information is subject to change without notice.



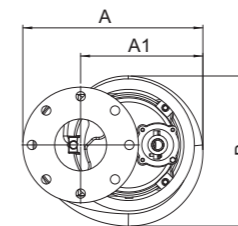
Semi-open Impeller



High Chrome Steel Impeller with Agitator

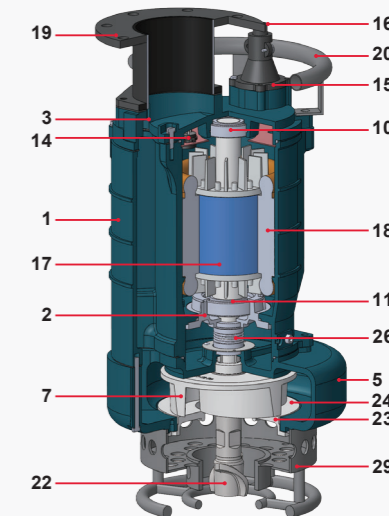


100(150)DIVA PRO-5.100~5.150



Dimensions (mm)

Type	A	A1	B	H	H1	H2	H3
100(150)DIVA PRO-5.100	445	305	370	855	820	720	265
100DIVA PRO-5.150H	445	305	370	855	820	720	265
100(150)DIVA PRO-5.150	445	305	370	855	820	720	265
150(200)DIVA PRO-5.200	520	350	455	1000	950	860	313
150(200)DIVA PRO-5.240	585	440	530	1160	1145	1010	330
150(200)DIVA PRO-5.300	585	440	530	1160	1145	1010	330
200DIVA PRO-5.300L	585	440	530	1160	1145	1010	330



Parts and Material List

No.	Part	Material
1	Motor Frame	EN-GJL-200
2	Bearing Bracket	EN-GJL-200
3	Top Bracket	EN-GJL-200
5	Pump Casing	EN-GJL-200
7	Impeller	High Chrome Steel
10	Upper Bearing	NTN/TPI
11	Lower Bearing	NTN/TPI
14	Protector	YAMADA
15	Gland Holder	EN-GJL-200
16	Cable Gland	NBR
17	Shaft with Rotor	10~15HP: AISI 410 20~30HP: AISI 420
18	Stator	
19	Discharge	SC
20	Handle	SC
23	Suction Plate	10~20HP: High Chrome Steel 30HP: EN-GJL-200
24	Wearing Plate (30HP Only)	High Chrome Steel
26	Mechanical Seal	Upper:CA/CE ; Lower:SIC/SIC
29	Strainer	SC

TPI is a family brand of NTN group.

